

MESSAGE FROM TRAINING & PLACEMENT CELL

The training and placement cell of Goel Group of Institutions, Lucknow handles campus placement of B.TECH, M.TECH, Diploma (ENG), B.PHARM, M.PHARM., BBA, BCA, MBA, B.Com. and B.COM (H) students. The placement cell provides complete support to visiting companies at every stage of placement process. Arrangement for pre placement talks, written tests, interviews and group discussions are made as per the requirement of visiting companies. The cell has modern infrastructure facilities for receiving various companies in the campus.

The department is geared up to provide its quality services not only in employment to students during studies, but also their employability through well planned and organized training and personality development programme and their development to face the corporate world. The cell also organizes seminars, group discussions and mock interviews as part of career guidance and personality development.

It gives us immense pleasure to see our students scaling new heights in their career, the advent of which is through campus recruitment. The team placement works day in day out to ensure that the best of the corporate visit us to recruit our students and thus ensure that a right foundation is given to the students.

So far, Goel Group of Institutions has placed more than 800 students in 97+ odd companies either by inviting companies for campus drive or arranging the off-site interviews. Students from not only Goel Group of Institutions but from various other colleges have participated in the open pool campus. The highest package being offered so far was Rs 6.00 LPA.



Akhilesh Awasthi
Training and Placement Officer

Computer Science and Engineering/Information Technology Scope of Employment

- As Developers and specialists in high-end services and IT-product companies.
- As Development Engineers, Technical Leaders and Managers.
- As Academicians and Researchers in India and abroad.
- As Consultants, Solution Developers and Entrepreneurs.
- Computing Specialists in Research Labs and as Technology Providers



Electrical Engineering Scope of Employment

It is well said for electrical engineers that “No resistance can drop our potential.” Engineering on a whole is itself a choice to choose as a career, Electrical engineering above is really lucrative for making career. Electrical Engineering has the responsibility of designing, developing and maintaining the electricity based controlled Signal & System and devices. There is a myth about the deficiency of electrical Engineering Jobs but the real scenario is that there are plenty of jobs for worthy candidates. The Scope for aspirants after completing B. Tech in Electrical is very vast in terms of career as this field now covers a range of sub-disciplines including those that deals with OPTO electronics, artificial intelligence, digital electronics, control signal and System etc.

- Power Grid Corporation of India Limited. (PGCIL)
- Bharat Heavy Electronics Limited (BHEL)
- Steel Authority of India Limited (SAIL)
- Coal India Limited (CIL)
- National Thermal Power corporation (NTPC)
- Uttar Pradesh Power Corporation (UPPCL)



Electronics & Communication Engineering Scope of Employment

Having a further look at the career prospects, there is bound to be huge demand for competent engineers in electronic industry to cope this demand in technology. The engineers would be involved in sustaining cutting edge technology to stay ahead in competition.

- An electronic engineer can find a job in Consumer electronics manufacturing organization , Telecommunication & IT industries, Health care equipment manufacturing , Mobile communication(2G,3G,4G), Internet technologies, Power Electronics, and other industries like steel, petroleum and chemical industry, directing control and testing production process.
- Electrical Technicians and technologists can specialize in technical sales, product representation, systems management, the design and manufacture of electronic devices and systems, or the installation, maintenance and repair of electronic systems and equipment.
- They may also work with computers and electronic equipment in the medical, manufacturing, industrial control, telecommunications, aeronautical and military fields. ECE also have several job openings & good pay-packages as compared to other branches.
- Electronics and Communication Engineers are acquired by top recruiters (both private and government) like DMRC, Siemens, Motorola, Intel, Texas Instruments, BEL, ISRO, DRDO, Accenture, Wipro, HCL Technologies, NVidia, Samsung, Tech Mahindra, Infosys, TCS, Conexant, MTNL, AIR, BSNL, Indian Air force, Indian Navy, Railways, Bharat Electronics Ltd and Flextronics and Philips Electronics.



TRAINING & PLACEMENT DEPARTMENT

Mechanical Engineering

Scope of Employment

There is wide scope of job avenues for Mechanical Engineers in India. Few job avenues are highlighted below:

Aerospace Industry : researches, designs, manufactures, operates and maintains aircraft

Automotive Industry : designs, manufactures, distributes and markets motor vehicles

Chemical Industry : covers oil companies, chemicals manufacturers and the businesses that support them (e.g. to build new plants or develop new process technologies)

Construction Industry : designs and builds infrastructure, buildings and buildings services (e.g. heating and ventilation)

Defence Industry : provides equipment, support and services for the armed forces and national security

Electronics Industry : designs and manufactures components and complete equipment for sectors from automotive to medicine and the military

Fast moving consumer goods Industry : manufactures products such as household cleaning items, personal hygiene goods and convenience foods

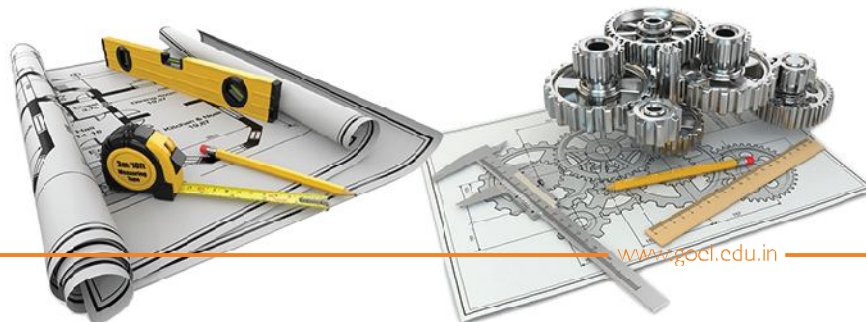
Marine Industry : develops and helps operate vessels

Materials and metals Industry : activities include developing new materials and manufacturing components or end products

Pharmaceuticals Industry : develops and manufactures drugs

Rail Industry : designs, constructs, manages and maintains rail system components from trains and tracks to electrical power systems and train control systems

Utilities Industry : helps supply power, water, waste management and telecoms



Civil Engineering

Scope of Employment

When planning to find a career in a conventional and promising branch, Civil engineering is one of the most sought after options among students in India. It is one of the oldest engineering specializations. Jobs varying from planning, implementation and designing of wide range of structural activities are available for civil engineers after graduation.

A career after Civil Engineering is highly rewarding. There are jobs that involve supervision, construction, design and analysis of private as well as public projects such as dams, highways, canals, water sewages and bridges. The profession demands excellent skills for both administration and supervision of projects. Excellence and responsibility are important factors associated with job. In other words, whenever you see or read about and popular landmark in the world (Iconic works like Golden Gate Bridge, The gateway of India, Burj Khalifa etc.) there is a civil engineer involved in the construction.

Career Prospects

Students are prepared to work in the bioscience industry in the areas of Research & Development in Vaccine production, Bio-fertilizers production, clinical testing, and diagnostic work. Potential employers include biotechnology and pharmaceutical companies, as well as laboratories in hospitals, government, universities, horticultural industries, conservation organizations, Beverages industry & agricultural industry.



Department of Diploma

Scope of Employment

Scope of Diploma – Diploma stream though a technical degree focussed on practical and skills-oriented training but different from graduate technical degrees like B. Tech etc. In fact diploma is a technical degree covers to provide students with industry or job related engineering knowledge, scientific skills, compuling & analysis. For diploma holders, our aim is to provide them employment as technicians, technologists, supervisors, superintendents, foremen, machinist, workshop technicians, draughtsman, station technicians (energy, thermal, aeronautical), automobile technicians, maintenance & service technicians, equipment mechanics and CAD/CAM programmer, agricultural overseers, instrument technicians, junior instructors, manufacturing, tool and die designers, electricians...etc

Department of MBA

Scope of Employment

A buffet of various jobs in industries such as retail, banking, hospitality, media, information technology (IT) and information technology enabled services (ITES), and free-moving consumer goods (FMCG) is lavishly spread before them.

Jobs are available with titles such as brand manager, sales manager, marketing manager, product manager, market research analyst, media planner, and Internet marketing manager.

In Finance open up career opportunities in various sectors including banking and financial services, investment banking, management consulting, insurance, wealth management, asset finance, and hedge fund management.

The Operations management is a valued specialization across all industries, including telecom, IT, and e-commerce. Job titles include supply chain manager, logistics manager, inventory control manager, project managers, and operations manager.



Overseas career : Some of the B.Pharm graduates are choosing to fly overseas and make their career bright. By scoring well in GRE, TOEFL, IELTS etc entrances they can pursue M.S, MBA and other pharmacy related courses in US, UK, Australia etc.

Marketing : There is a big scope in sales dept of pharmaceutical companies making tools and machines for research, these companies hire graduates for their marketing and sales as MR, project managers etc. Here salary ranges from 7-20 thousand. Pharmaceutical MBA is most heyday in this field.

Clinical research : Recently, Clinical research has also open its door for B.Pharm graduates as medical underwriter, CRO, data validation associate, clinical research associate etc.

Production : Large rate of vacancies are appearing in pharma industries for production. All the big firms invite suitable skill pharma individual in manufacturing units. Initial pay is less around 6000-10000 per month but later it show faster growth rate than any other line. Manufacture of pharmaceuticals involve all the drugs in different dosage forms and cosmetics.

Quality control: Some government jobs like government analysis is associated with it. They have to develop, apply, revise, and maintain quality standards for processing materials into partially finished or finished products. Helps in designing and implementing methods and procedures for inspecting, testing, and evaluating the precision and accuracy of products and prepares documentation for inspection testing procedures.

Scientists : Pharma graduates can absorb as scientist in R&D and F&D. It is field of innovation where talented people in pharmacy working as scientist. Numerous researches are going on in India though compare to less than US and other British industries. Very less candidate from B.Pharm are selected because lack of knowledge but those who have all ideas of subject are greeted in this field.

Lecturer : Usually, graduates in pharmacy can also make their career in academics. In some institutions they are eligible to work as lecturer for diploma students.

M.Pharm is master degree of pharmacy in various branches or subjects like pharmaceutics, pharmacology, pharmacognosy, pharmaceutical/medicinal chemistry, pharmaceutical marketing, pharmacy practice, quality assurance, ph. technology, ph. administration, ph. science, Bulk drug Tech, Industrial Pharmacy, pharmaceutical analysis, pharmaceutical biotechnology. All the branches are distinct and have rejoicing scope. Many industries are reliance on master students than bachelors as they are specialized in particular branch with better knowledge. GATE-PY is discontinued from 2010, so it may effect some academically good students but still some good universities have their own entrances.

STUDENT'S PLACEMENT

Student Name			Year of Passing	Current Organization
Susheel Kumar	B.Pharm.	B.Pharm.	2016	Jr Chemist
Arun Pal	B.Pharm.	B.Pharm.	2016	Pharmacist
Jaiku Yadav	B.Pharm.	B.Pharm.	2017	Pharmacist
Jitender	B.Pharm.	B.Pharm.	2017	Pharmacist
Ratnesh Kumar	B.Pharm.	B.Pharm.	2016	Pharmacist
Sikandar Gautam	B.Pharm.	B.Pharm.	2016	Pharmacist
Syed Raza Hasan	B.Tech.	IT	2016	Accenture
Anuj Sahu	B. Iech.	CS	2014	Accenture
Vinit Mishra	B.Tech.	ME	2013	Addison And Company Ltd
Rahul Singh	B.Tech.	ECE	2017	Aict Indira Nagar Lucknow
Nasimzamma	B.Tech.	ECE	2015	Al Suwadia Industrial Co. Ltd.
Neelima Panday	B.Tech.	CS	2015	Aptech Limited India
Robhit Saxena	B.Tech.	CS	2013	Atlassian
Om Prakash	B.Tech.	ME	2012	Ayoki Cembole Erectors Pvt. Ltd.
Bhawesh Srivastava	B.Tech.	CS	2015	B3 Intelligence
Ashish Kr Saurabh	B.Tech.	ECE	2015	Bharti Infratel Ltd.
Monika Mehta	B.Tech.	CS	2015	Binary Semantics
Sudeep Mukherjee	B.Tech.	CS	2017	Cedcoss Technologies Pvt. Ltd
Milind Singh	B.Tech.	CS	2016	Cedcoss Technologies Pvt. Ltd
Kausar Mehndi	B.Tech.	IT	2017	Cedcoss Technology Pvt. Ltd
Dharam Jeet	B.Tech.	CS	2015	Compunnel Technology India Pvt Ltd
Rohit Nigam	B.Tech.	CS	2017	Deedok Company
Sumit Khitan	B.Tech.	CS	2012	E Gain
Priyanka Yadav	B.Tech.	ECE	2016	Ericsson
Sanket Chandra	B.Tech.	ME	2013	Eta General Pvt Ltd
Md.shamim	B.Tech.	IT	2012	Fusion Tech
Mohd. Faisal	B.Tech.	ECE	2017	Gdn Enterprises Pvt. Ltd.
Anshuma Gupta	B.Tech.	ECE	2014	Global Banking & Finance
Tarvi Gupta	B.Tech.	CS	2016	Glocal Vision Private Limited
Gyan Pratap Singh	B.Tech.	ME	2015	Govt. Polytechnic(contract Basis)
Iriveni Maurya	B.Tech.	ME	2103	Grey Orange India Pvt Ltd
Amber Mittal	B.Tech.	ECE	2013	Hcil
Ashwani Singh	B.Tech.	CS	2014	Hcl
Prakhar Yadav	B.Tech.	CS	2015	Hcl Bserv Limited
Vaibhavi Dwivedi	B.Tech.	CS	2014	Hcl Technolgies
Arpit Khare	B.Tech.	CS	2012	Hcl Technolgies
Anushree Saxena	B.Tech.	CS	2015	Hcl Technologies
Prashasita Verma	B.Tech.	CS	2016	Hcl technologies
Arushi Goel	B. Iech.	CS	2015	Hdfc Bank
Damini Gaur	B.Tech.	CS	2014	Herbalife



STUDENT'S PLACEMENT

Student Name			Year of Passing	Current Organization
Awantika Shukla	B.Tech.	CS	2014	Ibm India Pvt. Ltd
Rahul Upadhyay	B.Tech.	CS	2014	Ibm India Pvt. Ltd
Divya Singh	B.Tech.	CS	2015	Icici Bank
Shivam Sen	B.Tech.	ME	2013	Iet, Lucknow
Dhruv Dwivedi	B.Tech.	CS	2015	India Mart
Saurabh Mishra	B.Tech.	ME	2016	Inlywheels India Ltd.
Anil Sharma	B.Tech.	ME	2015	Innovative Geotechnical Instrumentation
Anuj Yadav	B.Tech.	ME	2012	Ion-exchange India Ltd
Anoop Singh	B.Tech.	ME	2012	Jvm Auto
Gaurav Kumar	B.Tech.	ME	2012	Karam Industry
Neeraj Mishra	B.Tech.	ME	2015	L&t
Pooja Singh	B.Tech.	CS	2015	Macquarie Global Services Private Limited
Harendra	B.Tech.	ME	2014	Mahindra And Mahindra
Priya Tripathi	B.Tech.	ECE	2012	Mahindra Education Pvt.ltd
Akash Srivastava	B.Tech.	ECE	2016	Mariram Electronics Service Pvt. Ltd.
Arti Singh	B.Tech.	CS	2015	Mattsen Kumar LI
Sateesh Yadav	B.Tech.	ME	2015	Mecon India Ltd.
Deep Gagan	B.Tech.	ME	2015	Mehul Automobiles(tvs Dealership)
Indrakesh	B.Tech.	ME	2015	Nbi
Harshad Agarwal	B.Tech.	CS	2015	Neva
Harsad Agarwal	B.Tech.	CS	2015	Neva
Sarvesh Kumar Chaurasia	B.Tech.	ME	2017	Ok Play India Limited
Abhinav P Maurya	B.Tech.	ME	2015	Ok Play India Ltd
Mudit Rastogi	B.Tech.	CS	2013	People Strong
Ashutosh Singh	B.Tech.	CS	2017	Pine Labs Pvt.ltd.
Prasant Ojha	B.Tech.	IT	2015	Proxix Infotech Pvt. Ltd
Raghvendra Yadav	B.Tech.	ME	2012	Quality Austria Centralasia Pvt Ltd
Adarsh Kumar Jerma	B.Tech.	ECE	2014	Reliance Jio Infocom Pvt.ltd.
Ateeb Ali	B.Tech.	ME	2017	Saket Metal Technocraft Pvt. Ltd.
Tarun Raj Bhatt	B.Tech.	IT	2015	Samsung India Electronics Pvt. Ltd.
Surendra Patel	B.Tech.	ME	2013	Sayed Hamid Behbehani & Sons Co.
Nitish Bisht	B.Tech.	ECE	2012	Selling Simplified
Harinath	B.Tech.	ECE	2016	Shinecity Group
Avaneesh Kumar Tiwari	B.Tech.	ECE	2013	Sonpura Mineral Pvt Ltd.
Anukriti Srivastva	B.Tech.	CS	2015	Spark Tg
Anil Singh	B.Tech.	CS	2016	Spice Jet
Jitendra Kumar Verma	B.Tech.	ECE	2012	Syndicate Ias Allahabad
Vivek Kumar Yadav	B.Tech.	ME	2017	Tata Motors Limited
Nitya Shukla	B.Tech.	CS	2014	Tcs
Abhisekh Abhimanyu Pandey	B.Tech.	IT	2014	Tcs



STUDENT'S PLACEMENT

Student Name			Year of Passing	Current Organization
Ruchika Brar	B. lech.	CS	2014	Ics
Abhishek Pandey	B. Tech.	IT	2015	Tcs
Jyoti Singh	B. Tech.	CS	2017	Tech Mahindra Pvt. ltd
Ajay Kumar	B. Tech.	CS	2017	Techno-friend
Atul Verma	B. Tech.	ME	2015	The Creation
Shubham Singh	B. Tech.	CS	2012	Transline
Arpit Luthra	B. Tech.	CS	2012	United India Insurance
Shivendra Srivastva	B. lech.	IT	2012	Up Police
Rahul Mishra	B. Tech.	CS	2017	Vertiver
Vivek Singh Yadav	B. Tech.	IT	2015	Vichar Saniklan
Kamna Srivastava	B. Tech.	ECE	2014	Webix Digital
Bhavik Gurdassani	B. Tech.	IT	2012	Wipro Digital
Saurabh Pandey	B. Tech.	CS	2016	Wipro Digital
Shubham Tiwari	B. Tech.	ME	2017	Yukta Autoparts India Pvt. Ltd.
Vaibhavi Dwivedi	B. Tech.	CS	2014	Analyst
Bhaskar Singh	B. Tech.	CS	2017	Andriod Developer
Ravi Mishra	B. Tech.	Civil	2014	Ass. Prof
Jyoti Singh	B. Tech.	CS	2017	Assoc. Qa
Manish Sahu	B. Tech.	Civil	2013	Business
Vivek Kr. Yadav	B. Tech.	ME	2017	Central Qlty Engg.
Sheshnath Chaudhari	B. Tech.	EE	2016	Ceo
Ved Prakash	B. Tech.	EE	2015	Civil Services
Vishal Verma	B. Tech.	EE	2015	Civil Services
Sudeep Mukherjee	B. Tech.	Civil	2015	Construction
Pradeep Verma	B. Tech.	CS	2017	S/w Developer
Yadunandan	B. Tech.	CS	2017	S/w Developer
Rohit Kumar	B. Tech.	CS	2017	Digital Mktg + Seo
Tarvi Gupta	B. Tech.	CS	2016	Director
Digvijai Chaudhary	B. Tech.	Civil	2014	Dtc
Priyanka Yadav	B. Tech.	EC	2016	Engineer
Shraddha Shulda	B. Tech.	IT	2014	It &erp Admin
Atul Verma	B. Tech.	Civil	2015	J.e.
Nitesh Kr. Tripathi	B. Tech.	ME	2015	J.e.
Ankit Srivastava	B. Tech.	EE	2017	Lecturer
Arpit Tyagi	B. Tech.	Civil	2014	Managing Director
Mid Haklani	B. Tech.	EE	2016	Preparation
Vivek Verma	B. Tech.	EE	2016	Preparation
Ashutosh Gupta	B. Tech.	EE	2017	Prog. Developer
Shalini Varshney	B. lech.	EC	2016	Prog. Developer
Afzal Khan	B. Tech.	Civil	2014	Project Engg.



STUDENT'S PLACEMENT

Student Name			Year of Passing	Current Organization
Anju Kumari	B.Tech.	CS	2016	Project Mgr
Devendra Singh	B.Tech.	Civil	2015	Proprietor
Avinash Tripathi	B.Tech.	EE	2017	Site Engg.
Gaurav Pandey	B.Tech.	ME	2015	Sr. Engineer
Ashutosh Singh	B.Tech.	CS	2017	Sr. Info Security Engg
Sonu Kr. Gupta	B.Tech.	EC	2012	Sr. Instrumentation Eng.
Himanshu Srivastava	B.Tech.	EC	2017	Pursuing For Pg Degree
Vartika Dehalvi	B.Tech.	EC	2017	Pursuing For Ug Degree
Kausar Mehndi	B.Tech.	CS	2017	Tech. Supp. Exe
Ravi Singh	BBA	BBA	2015	Pursuing for Pg Degree
Richa Bharti	BBA	BBA	2017	Mba
Rishabh Verma	BBA	BBA	2017	Mba
Saril Raj	BBA	BBA	2017	Mba
Aditya	BBA	BBA	2017	Photographer
Mayank Kr. Rawat	BBA	BBA	2016	Pursuing For Pg Degree
Shiv Balak	BBA	BBA	2017	Pursuing For Pg Degree
Anshika Srivastava	BBA	BBA	2015	Pursuing For Pg Degree
Sunil Kumar	BCA	BCA	2016	Developer
Ashutosh Gautam	Diploma	Civil	2017	Pursuing For Ug Degree
Dharmendra Chauhan	Diploma	ME	2016	Pursuing For Ug Degree
Harikash Yadav	Diploma	Civil	2017	Pursuing For Ug Degree
Harsh Shukla	Diploma	Civil	2017	Pursuing For Ug Degree
Manoj Gupta	Diploma	ME	2016	Pursuing For Ug Degree
Samarth Vineet	Diploma	ME	2016	Pursuing For Ug Degree
Shildhar Verma	Diploma	CS	2017	Pursuing For Ug Degree
Vinit Kumar	Diploma	Civil	2017	Pursuing for Ug Degree
Vaibhav Srivastava	Diploma	Civil	2017	Training
Anamika Sharma	M.Tech	CS	2016	Ass. Prof
Ashwini Kumar	MBA	MBA	2015	Asst. Manager
Garv Twari	MBA	MBA	2015	Ass. Prof.
Sandeep Kr. Rawat	MBA	MBA	2016	Jrf
Ravi Singh	MBA	MBA	2016	Pursuing For Ph.d. Degree



OUR RECRUITERS

COURSE	BRANCH	COMPANY
BACHELOR IN PHARMACY	B.PHARM	J.B. CHEMICALS & PHARMACEUTICS LTD.
	B.PHARM	KVC
	B.PHARM	TRAJUSON
	B.PHARM	EUGENICS MEDI SCIENCE PVT. LTD
	B.PHARM.	GLAXO PHARMACEUTICAL PVT. LTD
	B.PHARM.	RIVPRAFORMULATION (HARIDWAR)
	B.PHARM.	ALBERT DAVID
	B.PHARM.	ARISTO PHARMA
	B.PHARM.	EASTERN HEALTHCARE (HARIDWAR)
	B.PHARM.	FLOX PHARMA
	B.PHARM.	IPCA PHARMACEUTICAL
	B.PHARM.	MORRACEAE PHARMA
	B.PHARM.	ORGANIC INDIA
	B.PHARM.	SUN PHARMA
	B.PHARM.	TABLET INDIA
	B.PHARM.	TORRENT PHARMACEUTICAL
	B.PHARM.	UNICHEM
	B.PHARMA	KAYSON PHARMA
	B.PHARMA	NAVEEN MEDICAL CENTRE
	B.PHARMA	NOUVEAU MEDICAMENT PVT.LTD
	B.PHARMA	ABBOTT PHARMA
	B.PHARMA	NOVARTIS PHARMACEUTICALS
	B.PHARMA	PANACEA BIOTECH
	B.PHARMA	MANKIND PHARMA
	B.PHARMA	ZYDUS
	B.PHARMA	DABUR
	B.PHARMA	EMAMI
	B.PHARMA	SATGURU BIOLOGICALS
	B.PHARMA	TANSUKH HERBALS
	BACHELOR IN TECHNOLOGY	ME
ME		CADD CENTRE
EC/CE/ME/EE/CS		KVC
CS		NATIONAL EMPLOYEE DEVELOPMENT ACADEMY
CS		SRMS
ME		VINOD ENTERPRISES
ME		YUTAKA AUTO PARTS RAJASTHAN
ME		ACE ENGINEERING ACADEMY
CE		CO CUBES AN AON HEWITT COMPANY
CS/IT		D&P ENTERTAINMENT
ME		ENGINEERS ACADEMY



OUR RECRUITERS

BACHELOR IN TECHNOLOGY

COURSE	BRANCH	COMPANY
	ME	EVATRON TECHNOLOGIES PVT.LTD
	ME	IMPERIAL SOCIETY OF INNOVATIVE ENGINEERS (ISIE)
	ME	J S AUTO PVT LTD
	CS/IT	MAGNUS IT SOLUTIONS PVT. LTD
	CE	NEXT OLIVE TECHNOLOGIES PVT. LTD.
	CS/IT	PIE INFOCOMM PVT. LTD.
	CS/IT	SHRI RAMSWAROOP DIGITAL TECHNOLOGIES PVT. LTD.
	CS/IT	SOFCON INDIA PVT. LTD.
	CS/IT	SONY INDIA PVT. LTD
	ME	NETTA ENGINEERS PVT. LTD.
	CS/IT	WEBEXPERT
	EC/ME	ABC RAIL ROAD PRODUCTS PVT.LTD
	EC/EE	ALTAMAS INFOSOLUTION PVT.LTD
	EE	ANUPAM ELECTRICALS & ENGINEERING PVT.LTD
	EE	BHARAT PETROLOEUM
	CE	BISHWA INFRASTRUCTURE & SERVICE PVT.LTD
	CE	CAT CONSTRUCTION
	CS	CMS INFO SYSTEM PVT.LTD
	EC	CORE INTGIRA
	CE	E.A. ENGINEERS LTD.LKO
	CS	E-GAIN COMMUNICATION
	EC	EVATRON TECHNOLOGIES PVT.LTD
	IT	GOPL TECHNOLOGIES
	EC	HAVELLS
	CS/IT/EC	HCL
	ME	HERO MOTO CORP
	ME	HYUNDAI MOTORS
	CE	IVS INFRASTRUCTURE
	ME	JSW LTD , DOLVI
	ME	JVM AUTO
	ME	KARAM INDUSTRIES
	ME	MAHAKALESHWAR SMILE PARKS PVT.LTD
	CS/IT	MARG SOFTWARE PVT.LTD
	EE	MB POLYTECHNIC
	ME	MECON INDIA LIMITED
	ME	MGS-FORD
	ME	NAGARJUNA CONSTRUCTION
	CE/ME	OMAX CONSTRUCTION LTD
	ME	OSWAL INDUSTRIES
	ME	QUALITY AUSTRIA



OUR RECRUITERS

COURSE	BRANCH	COMPANY
	BACHELOR IN TECHNOLOGY	ME
		RAIL NEER(IRCTC)
		RELIANCE MOTOR CARE(TATA MOTORS)
IT		SAHARA/ TECHNOSYS PVT.LTD
IT		SAMSUNG
ME		SHIPPING CORPORATION OF INDIA
CS		SPANCO
ME		SUNIL HI TECH ENGINEERS LIMITED
CE		SURYANSH INFRADEVELOPERS PVT.LTD
CS		TATA CMC
ME		IAIA CONSULIANCY SERVICES
CS		TCL DNA COMMUNICATION
ME/E/C/CS		TCS I ON
ME		TEAM TIME CO.(GULF COUNTRY)
CS		TECH SKILL TECHNOLOGIES
IT		TECHNOSYS PVT.LTD
IT		TECHNOSYS PVT.LTD
ME/E/C/CE/EE		TECHNOWORLD SERVICES
EE/ME		TELCO
EC		TOMMY HILL FIGURE
CE		ULTRA INFRASTRUCTURE CONSTRUCTION
CS		ULTRAMOUNT SOLUTIONS PVT.LTD
CS		UNICODE SYSTEMS
EE		VIDEOCON
EC		XEROX INDIA LTD
EC	ZEE TV	
ME	E-RICKSHAW INDIA PVT LIMITED	
CS	CEDCOSS	
CS	COGNIZANT	
CS	FERRY INFOTECH PVT.LTD	
BBA	KVC	
BBA	NATIONAL EMPLOYEE DEVELOPMENT ACADEMY	
BBA,BCA	CONCENTRIX DAKSH SERVICES INDIA PVT. LTD.	
BBA,BCA	EARTH INFRAVENTURE PVT.LTD	
BBA,BCA	EARTH INFRAVENTURE PVT.LTD	
BBA,BCA	LAKSHYA INVESTMENT SOLUTION	
BBA,BCA	LAKSHYA INVESTMENT SOLUTION	
BBA/BCA	TATA CONSULTANCY SERVICES	
BBA/BCA	TECHNOWORLD SERVICES	
BBA/BCA	TRANSGLOBAL CORPORATION	



OUR RECRUITERS

COURSE	BRANCH	COMPANY
BACHELOR IN BUSINESS ADMINISTRATION/ COMPUTER APPLICATION	BBA/BCA	TRAUSON
	BBA/BCA	IFAZONE PVT.LTD
	BBA/BCA	INDIA PESTICIDES LIMITED
	BBA/BCA	RELIANCE JWELLS
	BBA/BCA	SRDT PVT. LTD.
	BBA/BCA	TEZ SECURITIES PVT. LTD.
DIPLOMA IN ENGINEERING	DIPLOMA	AMAR UJALA LUCKNOW
	DIPLOMA	BARODARA L.PG. PLANT BARODARA
	DIPLOMA	D.E.C. PVT. LTD LUCKNOW
	DIPLOMA	DELHI MORORS DELHI
	DIPLOMA	FIRST IDEATION
	DIPLOMA	GOLDEN ENGG. PVT. LTD DELHI
	DIPLOMA	INDO FORM TRACTOR BADDI HIMACHAL PRADESH
	DIPLOMA	J.B. M. AHMADABAD AHMADABAD
	DIPLOMA	MAHIDRA TRACTRORS MOHLI
	DIPLOMA	NASA MARKETING GAZIABAD
	DIPLOMA	NEW ALAIN WERRG WORKS FARIDABAD NCR
	DIPLOMA	SHAMBHU AGENCIES (MANT) LUCKNOW
	DIPLOMA	SUNDER PRECISION FORGE LTD. NOIDA
	DIPLOMA	TATA MOTORS PVT.LTD. GURUGRAM
	DIPLOMA	TATA MOTORS PVT.LTD. LUCKNOW
	DIPLOMA	TENNECO AUTO MOTIVE PVT. LTD . REWADI HARIYANA
	DIPLOMA	WABCO INDIA PVT.LTD BARABANKI
MASTER IN BUSINESS ADMINISTRATION	MBA	LUV KUSH ENTERPRISES
	MBA	PEPSICO
	MBA	INDIA INFOLINE
	MBA	LAKSHYA INVESTMENT SOLUTION
	MBA	MAHAKALESHWAR SMILE PARKS PVT.LTD
	MBA	ABC RAIL ROAD PRODUCTS PVT.LTD
	MBA	AEGIS
	MBA	ANAND RATHI SHARES AND STOCK BROKERAGE
	MBA	BMA WEALTH CREATORS LI D
	MBA	CANCER AID SOCIETY
	MBA	COCA-COLA-AMRIT BOTTLERS
	MBA	COUNTRY CLUB, MUMBAI
	MBA	DEVYANI INTERNATIONAL PVT.LTD
	MBA	EUREKA FORBES
	MBA	EUREKA FORBES ACQUAGUARD
	MBA	EUREKA FORBES SSD
	MBA	EUREKA FORBES/ KTL PVT.LTD



OUR RECRUITERS

BRANCH		COMPANY	
COURSE	MBA	GAIL LTD	
	MBA	GODREJ	
	MBA	GODREJ	
	MBA	GOOD BAKERY, LUCKNOW	
	MBA	GRS TECHNOLOGY	
	MBA	IDEA	
	MBA	INDIA BULLS SECURITIES	
	MBA	J P CEMENT	
	MASTER IN BUSINESS ADMINISTRATION	MBA	JAMIND SOFT SOLUTIONS
		MBA	KANCHANWEBS
		MBA	KARVY/ POLLUX TECHNOSOFT
		MBA	KVC
		MBA	LAKSHYA INVESTMENT SOLUTION
		MBA	MAHAKALESHWAR SMILE PARKS PVT.LTD
		MBA	POLLUX TECHNOSOFT
		MBA	RAMSWAROOP DIGITAL TECHNOLOGY PVT.LTD
		MBA	RURAL INDIA INFRASTATE PVT.LTD
		MBA	SHIV SHAKTI GROUP OF COMPANIES
		MBA	SSD
		MBA	STALLION HONDA
MBA		STAR PHONES	
MBA		TCS ION	
MBA		TECHNOWORLD SERVICES	
MBA		THAKUR PUBLISHERS	
MBA		VYASK BHARAT	
MBA		GANGOTRI RESOURCES & DEVELOP SERVICES	
MBA		NATIONAL KNOWLEDGE NETWORK	
MBA		RED CANCASS BUSSINESS SOLUTIONS	
MBA	THE TIMES GROUP		

